

SPECIFICATION

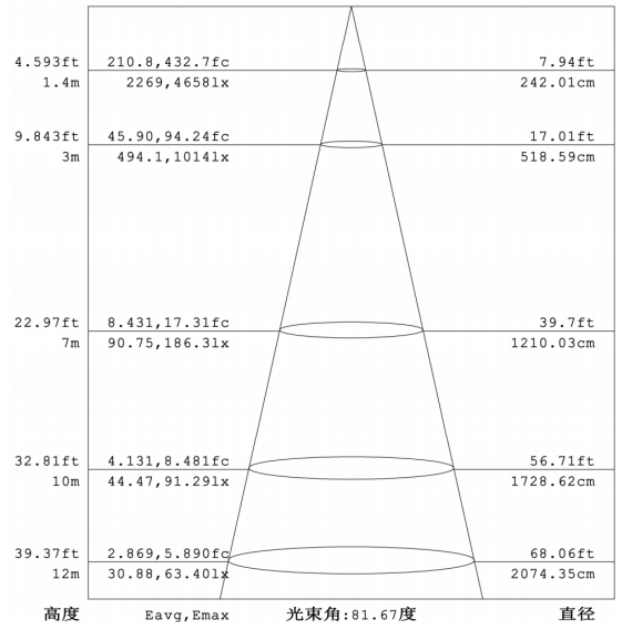
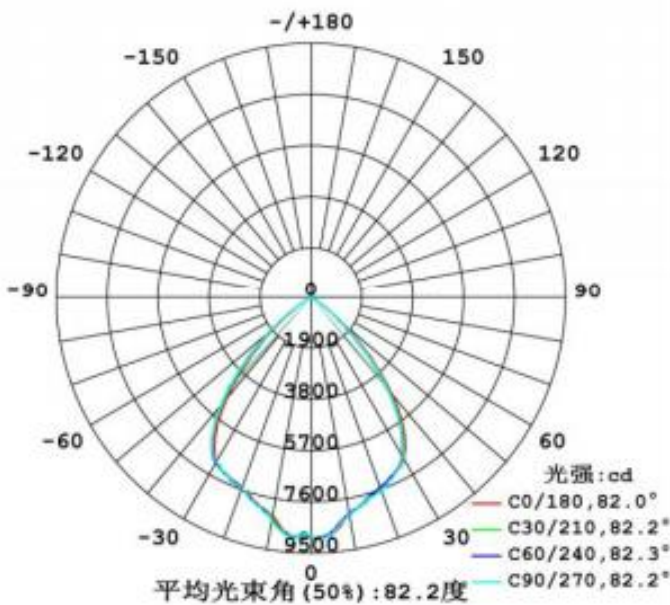
Part No.: NSH-A150W



NEWSTAR LED Lighting

Features

- No UV or IR light radiation.
- Easy Installation
- Long lifetime: 80000 hours
- Correlated Color Temperature:2800-6500K
- AC85~277V input.
- LED type: Osram SMD3030
- IP65 Protection grade
- 5 Years Warranty
- CE, RoHS Certified

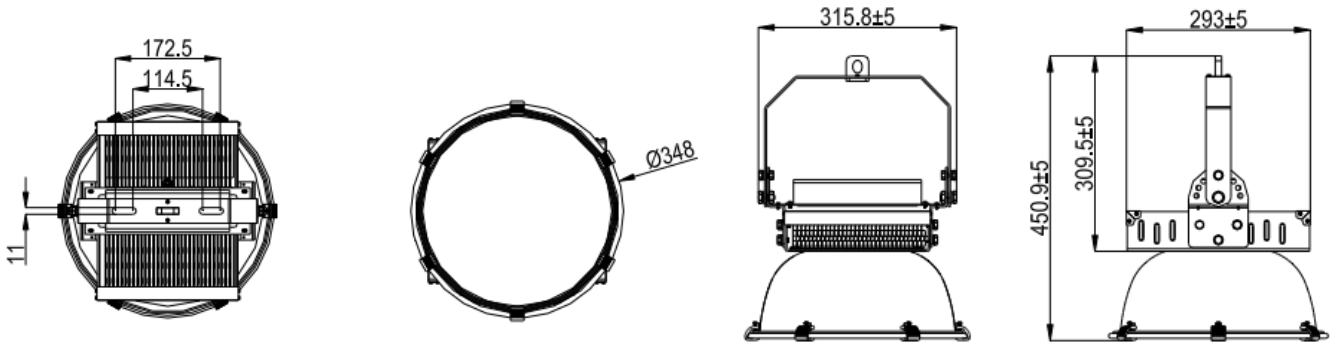


Technical Specifications

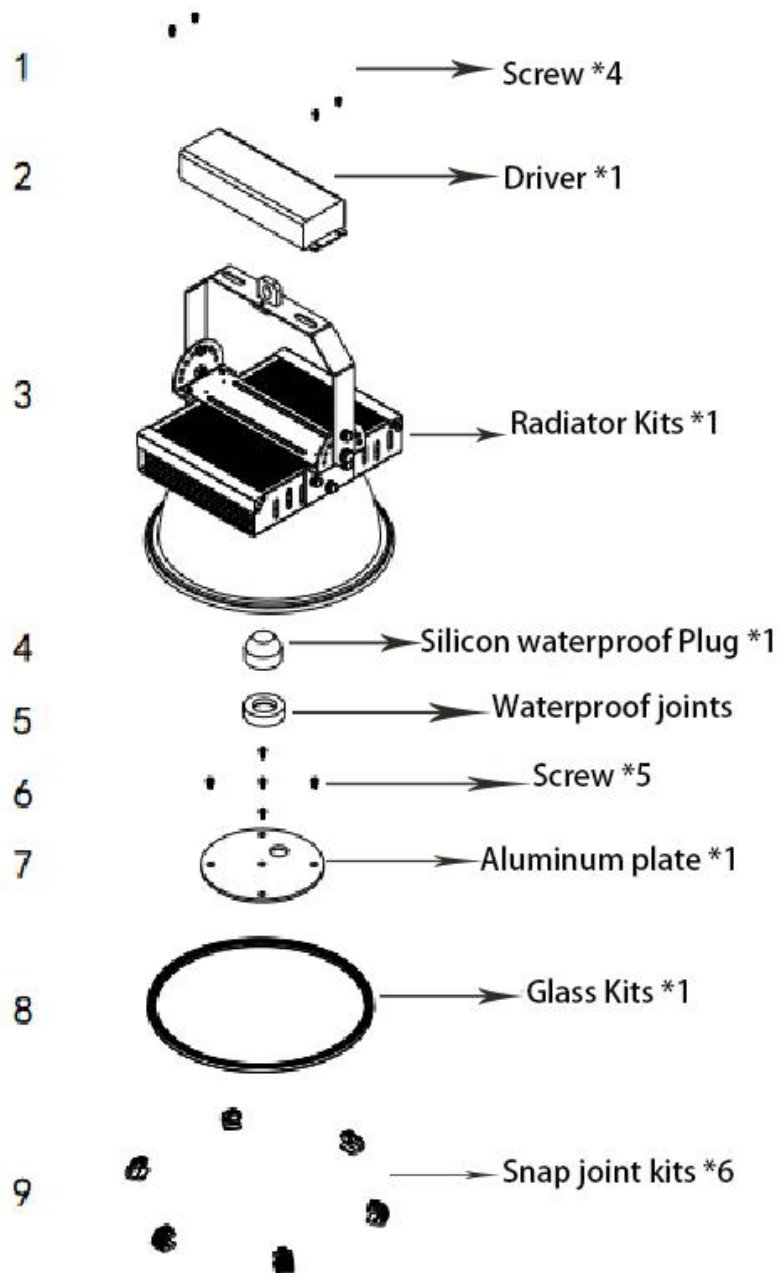
Power	150W	CRI	≥80
Lumens	15000lm±5%	Color Temperature	2800~6500K
Fixture efficiency	>0.92	Beam Angle	25/45/60/90
Power Factor	>0.95	Frequency Range	50-60Hz
Light Source	Osram SMD3030	Dimension	462*348*330mm
Driver	MeanWell driver	Working Temperature	-30°C ~+65°C
Body& Lampshade	Aluminum Alloy	Weight	7.8KG

SPECIFICATION

Size



Structure



SPECIFICATION

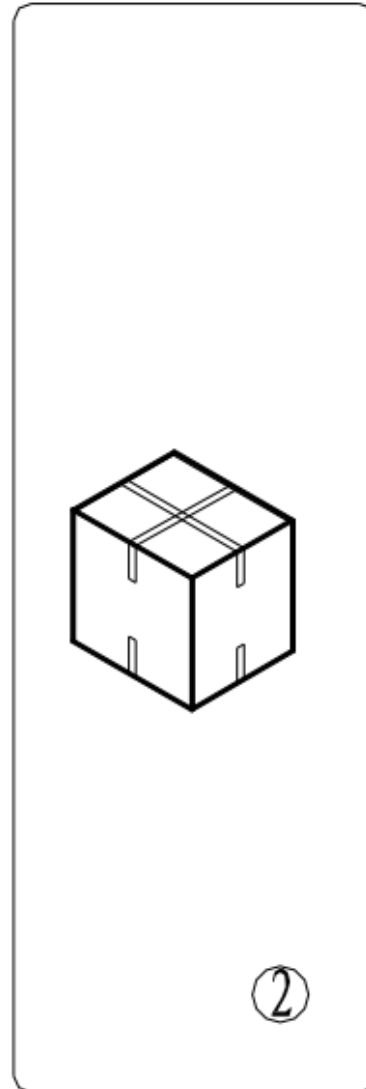
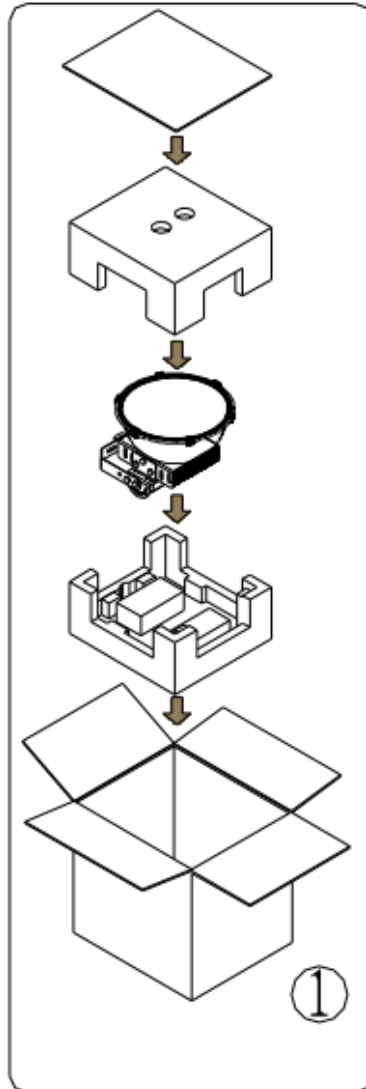
Packing

CTN Size: 46.3*42.3*35cm

Quantity: 1pcs

NW: 6.2KG

GW: 7.8KG



Installation



Base Mounting



Wall Mounting



Ceiling Mounting

SPECIFICATION

Application

- Shopping mall lighting.
- Exhibition hall lighting
- Parking lot lighting
- Gymnasium lighting
- park, sculpture and national green lighting project
- Tourist attractions lighting
- Green area lighting
- The building elevation of lighting
- Other light sources

