

SPECIFICATION

Part No.: NA SERIES



NEWSTAR LED Lighting

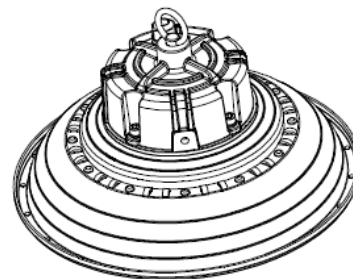
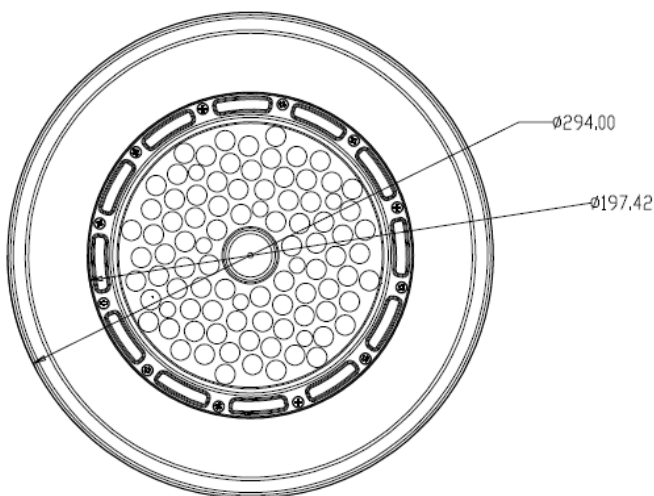
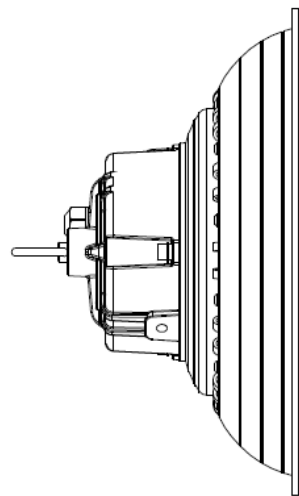
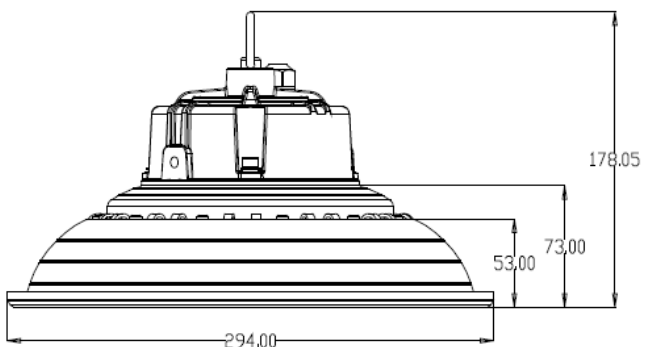
Features

- No UV or IR light radiation.
- Easy Installation
- Long lifetime: 80000 hours
- Correlated Color Temperature:2800-6500K
- AC 85-277V 50/60Hz.
- LED type: Osram 2835
- IP65 Protection grade
- 3-5 Years Warranty
- CE, RoHS Certified



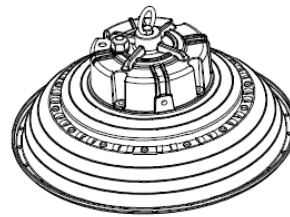
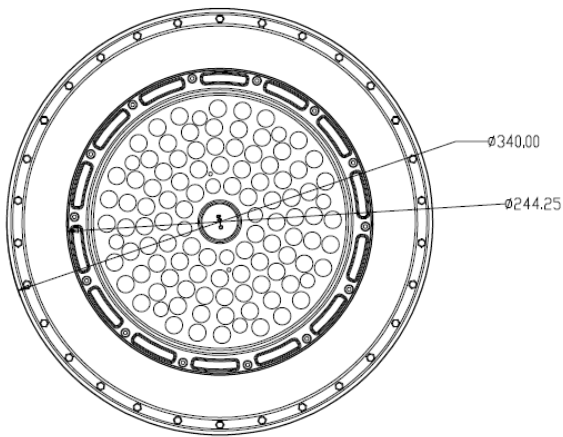
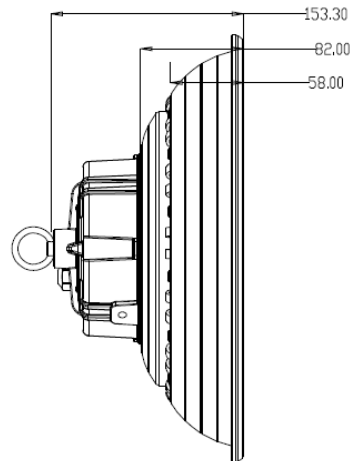
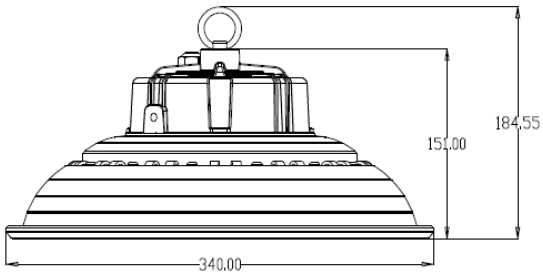
Product Size

100w

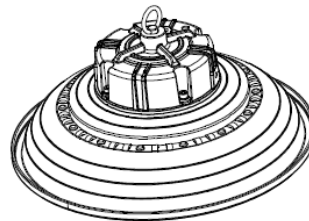
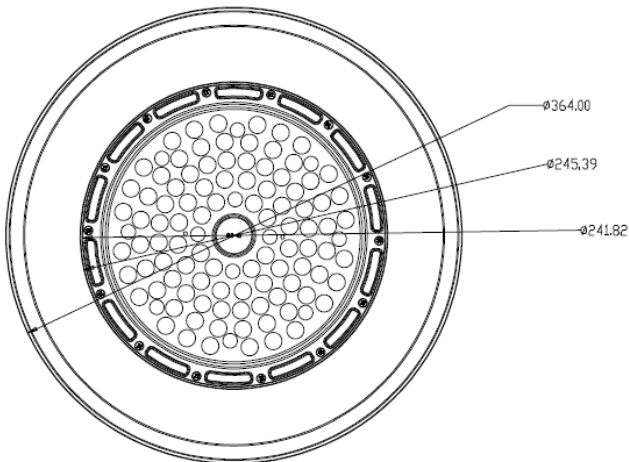
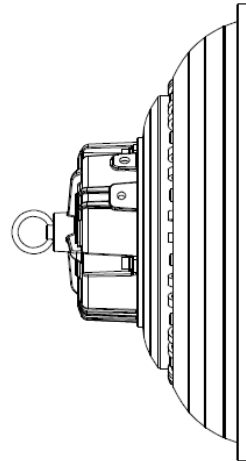
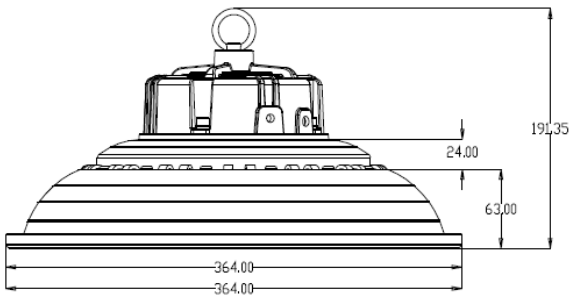


SPECIFICATION

150W



200W



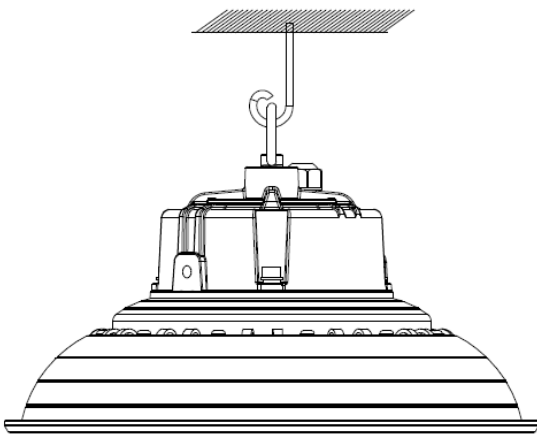
SPECIFICATION

Technical Specifications

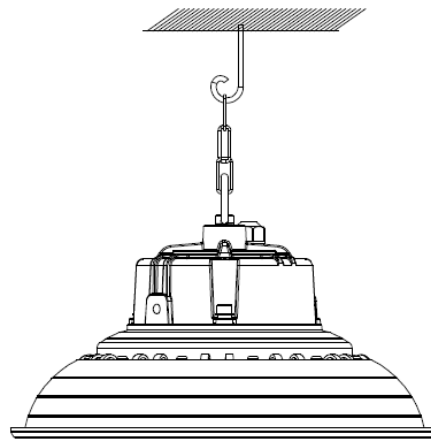
Part No.	Power	LEDs	Input	Lumen	Efficiency(±5%)	Warranty
NSH-NA100W	100W	Osram 2835	AC85-265V	15000LM	150lm/w	3-5 years
NSH-NA150W	150W	Osram 2835	AC85-265V	22500LM	150lm/w	3-5 years
NSH-NA200W	200W	Osram 2835	AC85-265V	30000LM	150lm/w	3-5 years

Installation

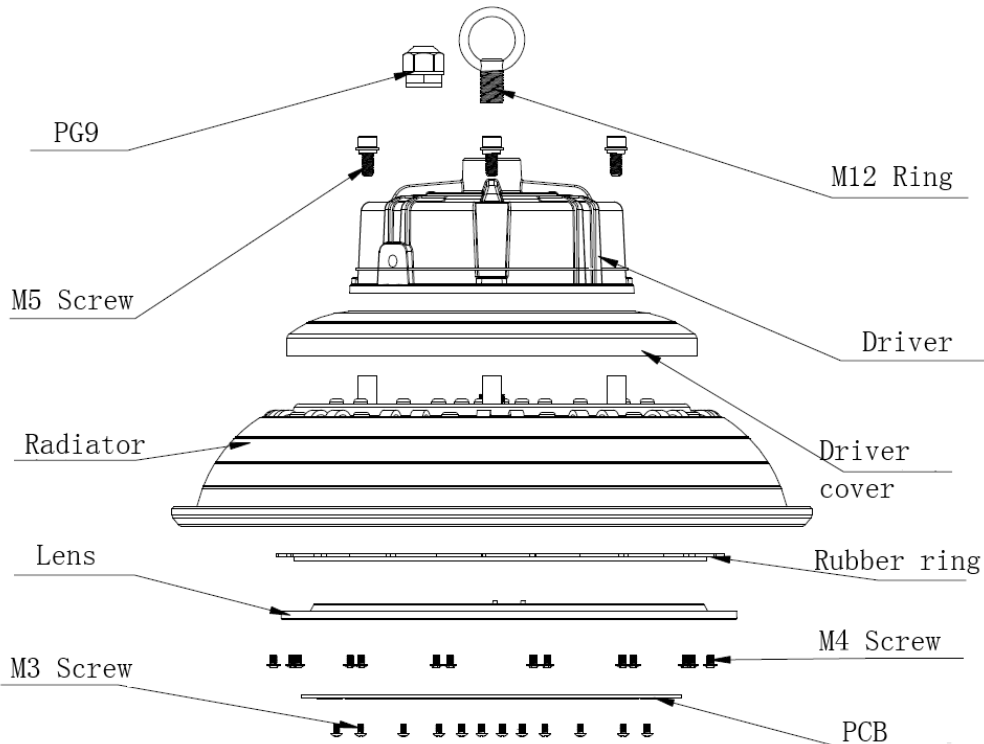
Hook mounting



Suspending mounting



Product details



SPECIFICATION

Package



100W	1PC/CTN	GW 2.2KG	40*40*16CM
150W	1PC/CTN	GW 3.2KG	42*42*17CM
200W	1PC/CTN	GW 3.6KG	45*45*18CM

Application

- Shopping mall lighting.
- Exhibition hall lighting
- Parking lot lighting
- Gymnasium lighting
- Warehouse lighting
- Tourist attractions lighting
- Green area lighting
- The building elevation of lighting
- Other light sources

